

Warewashing Small Single Skin GW, rinse aid dispenser, 30b/h

ITEM # _____

MODEL # _____

NAME # _____

SIS # _____

AIA # _____


402288 (ES)

 Glasswasher (small), with
 single skin and rinse aid
 dispenser, 1 cycle, 30b/h

Short Form Specification

Item No. _____

Unit shall be Glasswasher type hot water rinsing using rack dimension of 400*400mm. Electrical characteristics to be 230 volts single phase 50Hz operation with one wash cycle of 120 seconds. Washing performance is ensured by a powerful wash pump and revolving washing spray arm on bottom. Upper rinsing and lower integrated washing & rinsing arms in composite material. Rinse temperature and pressure guaranteed by built in pressure boiler. Double skinned counter-balance door. Large door opening of 290mm for washing tall glasses. Single skinned cabinet. Welded washing tank with round corners. 304 stainless steel construction to include door & frame. The unit shall include rinse aid dispenser pump is equipped with electric cable with Schuko plug.

Main Features

- Built-in rinse aid dispenser with automatic initial and continuous cycle loading for perfect result while minimizing service and maintenance needs.
- 120 seconds cycle.
- Built-in pressure boiler designed to raise incoming water to a guaranteed minimum temperature of 82° C for sanitizing rinse. No external boiler is required.
- Maximum capacity of 30 racks per hour.
- Equipped with single phase electrical cable and Schuko plug for easy and fast installation.
- Easy service access to main components without moving the unit.
- Washing system endowed with rotating washing arms, high powered wash pump and large capacity wash tank for professional washing.
- Welded wash tank, sloped towards the drain, provides fast drainage in only a few minutes and guarantee a water tight solution.

Construction

- Completely closed on the back by a cover plate.
- Unit to feature rinse aid dispenser pump.
- Internal components (arms and filter) are easy extractable.
- Robust structure thanks to stainless steel construction.

Sustainability



- Simple operation control panel.
- Insulated double skin door construction preserves heat inside the tank to lower energy consumption and the noise. Counter-balance mechanism minimizes impact when opening and closing.
- Finished in top quality materials to ensure durability.

APPROVAL: _____

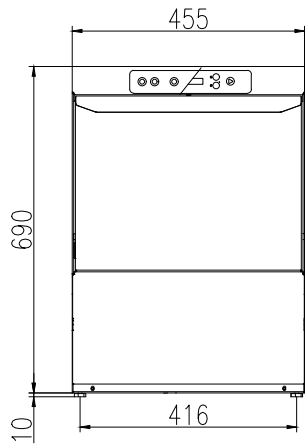
Included Accessories

- 1 of Square basket for glasses 400x400x150mm PNC 864470
- 1 of Insert for 12 saucers, 290X90x75mm PNC 867048
- 1 of Square cutlery container, 89x113x113mm PNC 867049

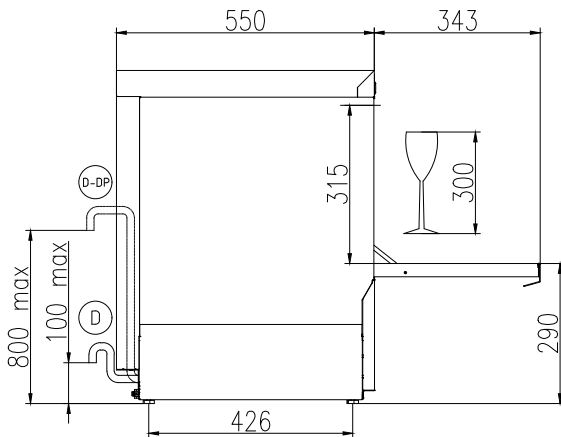
Optional Accessories

- Square basket for glasses, 400x400x1100mm PNC 867039
- Inclination insert for glasses, 400x180mm PNC 867044
- Round basket for glasses, 400x180mm PNC 867047
- Inclination insert for glasses 400x400 mm PNC 867069
- Kit detergent dispenser for Single Skin XS and Single Skin S Glasswasher PNC 867072

Front

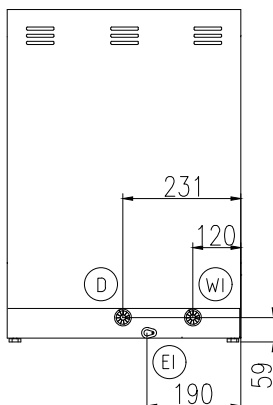


Side



CWII = Cold Water inlet 1 (cleaning)
 D = Drain
 EI = Electrical inlet (power)
 EO = Electrical Outlet
 WI = Water inlet
 XR = Rinse aid connection

Rear side



Electric

| | |
|--------------------------|----------------------|
| Supply voltage: | |
| 402288 (ES) | 220-240 V/1 ph/50 Hz |
| Default Installed Power: | 2.7 kW |
| Boiler heating elements: | 2.7 kW |
| Tank heating elements: | 2.4 kW |
| Wash pump size: | 0.2 kW |

Water:

| | |
|-----------------------------------|----------|
| Pressure, bar min/max: | 2-5 bar |
| Water supply temperature*: | 10-50 °C |
| Drain line size: | 29mm |
| Washing tank capacity (lt): | 12 |
| Water consumption per cycle (lt): | 2 |
| Boiler Capacity (lt): | 3 |
| Incoming water line size: | 3/4" |

Key Information:

| | |
|--|---------------------|
| Baskets per hour (cycle 1/ MyEco/Fast*): | 30 / 0 / |
| Working cycles time (sec.): | 120 / / |
| Wash temperature: | 60°C |
| Cell dimensions - width: | 405 mm |
| Cell dimensions - depth: | 437 mm |
| Cell dimensions - height: | 315 mm |
| Rinse temperature: | 85 °C |
| External dimensions, Width: | 455 mm |
| External dimensions, Depth: | 550 mm |
| External dimensions, Height: | 700 mm |
| Net weight: | 36.5 kg |
| Shipping weight: | 41 kg |
| Shipping height: | 850 mm |
| Shipping width: | 540 mm |
| Shipping depth: | 630 mm |
| Shipping volume: | 0.29 m ³ |

Sustainability

| | |
|--------------|--------|
| Noise level: | 61 dBA |
|--------------|--------|